

## ARTUS Minimal Surface-Mounted

### Quick Facts

- Remote Powered, Class 2 Fixture
- 12W Cree LED
- Available in Warm White (2700K) and Soft White (3000K)
- 2-step SDCM ellipse for accurate color consistency between fixtures
- Full dimming range via remote power supply
- Visible Dimensions - 110mm x 55mm x 55mm (4-3/8" x 2-3/16" x 2-3/16")
- Suitable for installation in drywall, wood, and stone ceilings
- Suitable for dry and damp locations
- Designed by Studio F·A·Porsche
- UL Listed
- Engineered and made in Germany



### Description

The quintessential ARTUS design embraces the minimalist design principles that Apure is known for, enabling the harmonious integration of decorative lighting into any given space. Illustrated to size, the graphic, cubistic 55 mm x 55 mm (2 3/16" x 2 3/16") design incorporates next era technology, while remaining true to the structural DNA of the Studio F·A·Porsche.

### Construction

- Extruded aluminum fixture body, featuring Apure's signature louver designed by Studio F·A·Porsche
- 50,000 hours LED lifetime
- Approximate fixture weight: 720g (1.58lbs)
- Operating Temperature: 10°C to 50°C
- Features Apure's magnetic installation bracket system for tool free luminaire servicing

### Fixture Size

- Visible Dimensions: 110mm x 55 mm x 55 mm (4-3/8" x 2-3/16" x 2-3/16")
- Recess Depth: N/A - junction box not required

### Light Output

- High performance Cree LED, available in various color temperatures
- 2-step SDCM ellipse
- Color rendering index (CRI) min. 90
- Integral microprocessor controlled thermal protection

### Electrical Specifications

24V DC Constant Voltage Input (Class 2, 12W Power Consumption)

- 96W 24V DC Power Supply Required (powers up to 4 fixtures)
- Magnetic Low Voltage (MLV) Dimming (or) 3-Wire Lutron Hi-Lume dimming protocols
- Recommended wire, min. 16 AWG plenum rated (CMP, when required) up to 150ft from remote transformer

Constant Current 1000mA 12V DC Input (Class 2, 12W Power Consumption)

- Remote 1000mA Constant Current Driver Required
- 0-10V 0.1% Dimming (or) 1-10V/Push/DALI (or) Phase Dimming drivers available
- Recommended wire, min. 16 AWG plenum rated (CMP, when required) up to 82ft from remote transformer

### Installation Types

- Surface-Mounted: Standard installation to most ceiling surfaces using anchors or screws (not provided)
- Profile: Surface-mounted in the LINIAR System profile using anchors or screws (not provided)
- Semi-Recessed: Magnetically attached in the NEXU System enclosure (not provided)

### Listings

- UL Listed, CE Conform
- Suitable for dry and damp locations

### Resources / Installation Videos

Scan QR Code or visit at [apurelighting.com/resources/](http://apurelighting.com/resources/)



Resources



Videos



## ORDERING INFORMATION

### SERIES

- AR - Artus Series

### MODEL

- 1 - Artus

### TYPE

- 1 - LED

### ORIENTATION

- F - Fixed

### FIXTURE FINISH

- BA - Black Anodized  
 WH - White Powder Coat

### TEMPERATURE (CCT)

- 27 - Warm White (2700K)  
 30 - Soft White (3000K)

### COLOR RENDERING INDEX

- 90 - ≥90

### OPTICS (DEGREE)

- S - Spot (14°)  
 N - Narrow Flood (25°)  
 F - Wide Flood (55°)

### DIMMING PROTOCOL

- A - Magnetic Low Voltage (MLV) (24V)\*  
 L - Lutron 3-Wire Hi-Lume 0.1% (24V)\*  
 CC\*\* - 0-10V / DALI / Phase Dim (1000mA Constant Current, 12VDC)\*

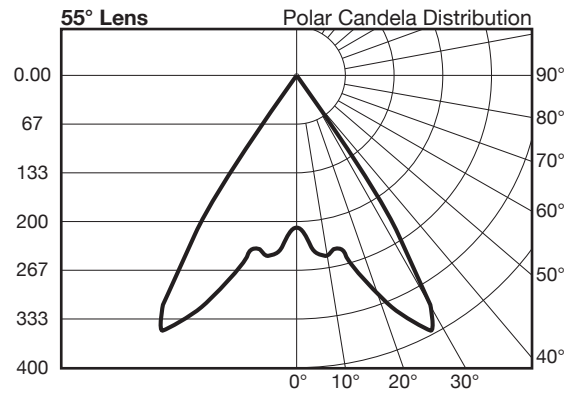
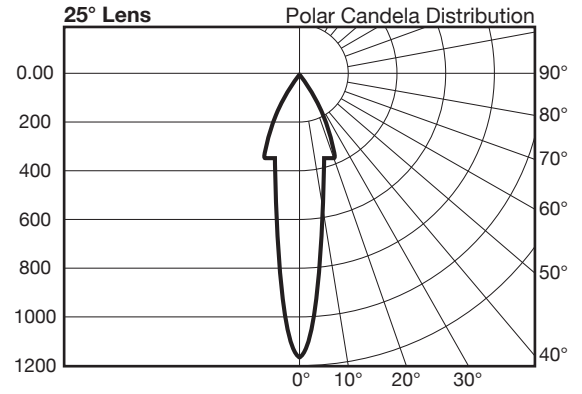
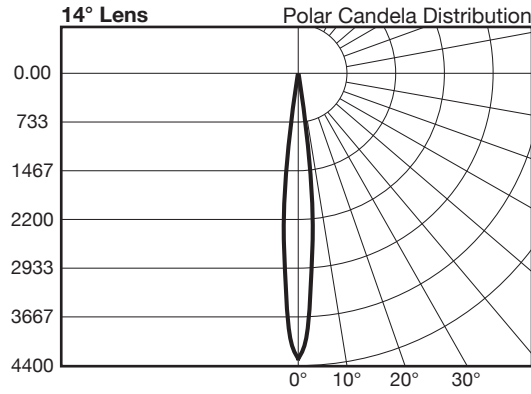
\*remote powered fixture, power supply required

\*\*Also cataloged as "EU"

### ORDERING EXAMPLE

AR11FBA3090FCC

## LED Photometrics



### Accessory for Installation Type

Surface Mounted (Standard)  
Semi-Recessed (Nexu System)\*  
Profile System (Liniar System)\*

### Part Number

None Required  
NSBRKUXX  
LSXXXX

### Thickness

--  
Various  
15mm

### Listings

--  
UL  
--

### Remote Power Supply for MLV Variant - [A]

Magnitude Power Supply (96W 24VDC)

### Part Number

AA3096M

### Input Voltage

120Vac

### Listings

ETL

### Remote Power Supply for Lutron Variant - [L]

Lutron 3-wire Hi-Lume Premier Eco Driver  
Lutron 3-wire HomeWorks Digital Control

### Part Number

L3D0-96W24V-U  
LHD0-96W24V-U

### Input Voltage

120-277V  
120-277V

### Listings

UL  
UL

### Remote Power Supply for CC or EU Variant - [CC]

Magnitude AFLEX Power Supply (1000mA 60W)\*\*  
Magnitude AFLEX JBZN Series (1000mA 60W)\*\*  
Apure Phase Dimmable (1000mA 29W)  
Apure Phase Dimmable (1000mA 30-65W)  
Apure DALI, Push, 1-10V (1000mA 30-65W)\*\*

### Part Number

AA3010M  
AA3010MJBXX  
AA32202DEU  
AA32205DEU  
AA3DALIDEU

### Input Voltage

120-277Vac  
120-277Vac  
220-240Vac  
220-240Vac  
110-240Vac

### Listings

UL Listed  
UL Listed  
CE  
CE  
CE

\*Refer to cutsheet for more information.

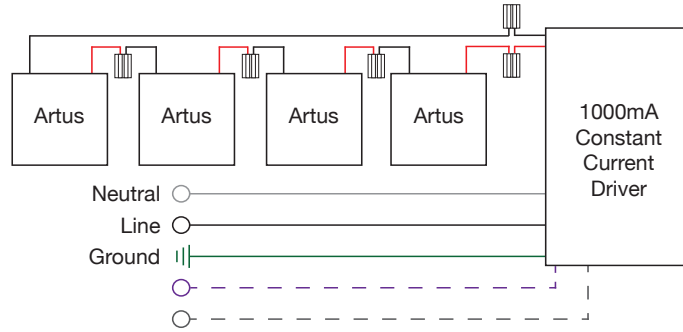
\*\*Driver enclosure required where applicable.

\*\*\*Refer to reseller for more information.

### Custom Installation Types

- Observe and follow all local and national installation codes for all installation types.
- Test and make sure that all fixtures are working properly before any mudding, painting or finishing occurs!
- Read and adhere to all instructions supplied with each power supply and fixture.
- Follow all instructions supplied by power supply / driver manufacturer!

## Wiring Diagram for Constant Current Artus products - [CC]



**Fixture Leads**  
Red (+)  
Black (-)

*Warning: failure to wire correctly may cause fixture to fail.*

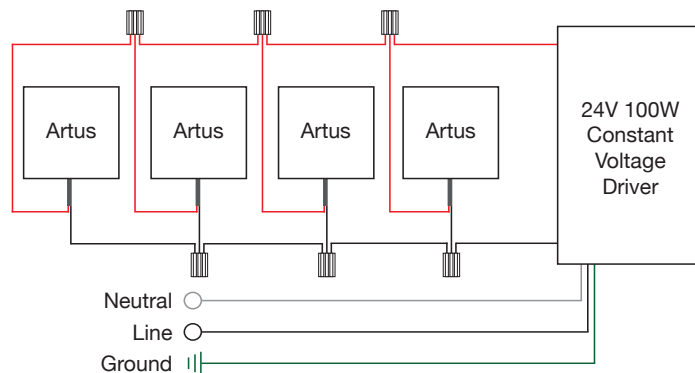
### Additional Considerations

The above wiring diagram applies only to Constant Current Artus products with product ordering codes ending with "CC" or "EU". The diagram above shows the typical wiring schematic, however the total number of fixtures per driver is driver specific.

- |   |           |                    |
|---|-----------|--------------------|
| • Magnitude AFLEX Power Supply (1000mA 60W) | 1-4 Artus | 16AWG - 82ft (25m) |
| • Apure Phase Dimmable (1000mA 29W)         | 1-2 Artus | 16AWG - 82ft (25m) |
| • Apure Phase Dimmable (1000mA 30-65W)      | 3-5 Artus | 16AWG - 82ft (25m) |
| • Apure DALI, Push, 1-10V (1000mA 30-65W)   | 1-4 Artus | 16AWG - 82ft (25m) |

**WARNING:** The power supply must operate within the range of minimum to maximum fixtures. Operation with less or more fixtures from the specified amount will result in damage to the power supply and/or lighting fixture. Incorrectly wiring the Constant Current lighting fixture may cause luminaire to fail.

## Wiring Diagram for 24V Artus Products - [A] MLV or [L] Lutron



**Fixture Leads**  
Red (+)  
Black (-)

### Additional Considerations

The above wiring diagram applies only to 24V Artus products with product ordering codes ending with "A" or "L". The diagram above shows the typical wiring schematic, however the total number of fixtures per driver is driver specific.

- |  |           |                      |
|--|-----------|----------------------|
| • Magnitude Constant Voltage Driver (96W 24VDC)        | 1-4 Artus | ≤16AWG - 150ft (45m) |
| • Lutron Hi-Lume Constant Voltage Driver (96W 24VDC)   | 1-4 Artus | ≤16AWG - 150ft (45m) |
| • Lutron HomeWorks Constant Voltage Driver (96W 24VDC) | 1-4 Artus | ≤16AWG - 150ft (45m) |

**WARNING:** The power supply must operate within the range of minimum to maximum fixtures. Operation with less or more fixtures from the specified amount will result in damage to the power supply and/or lighting fixture.