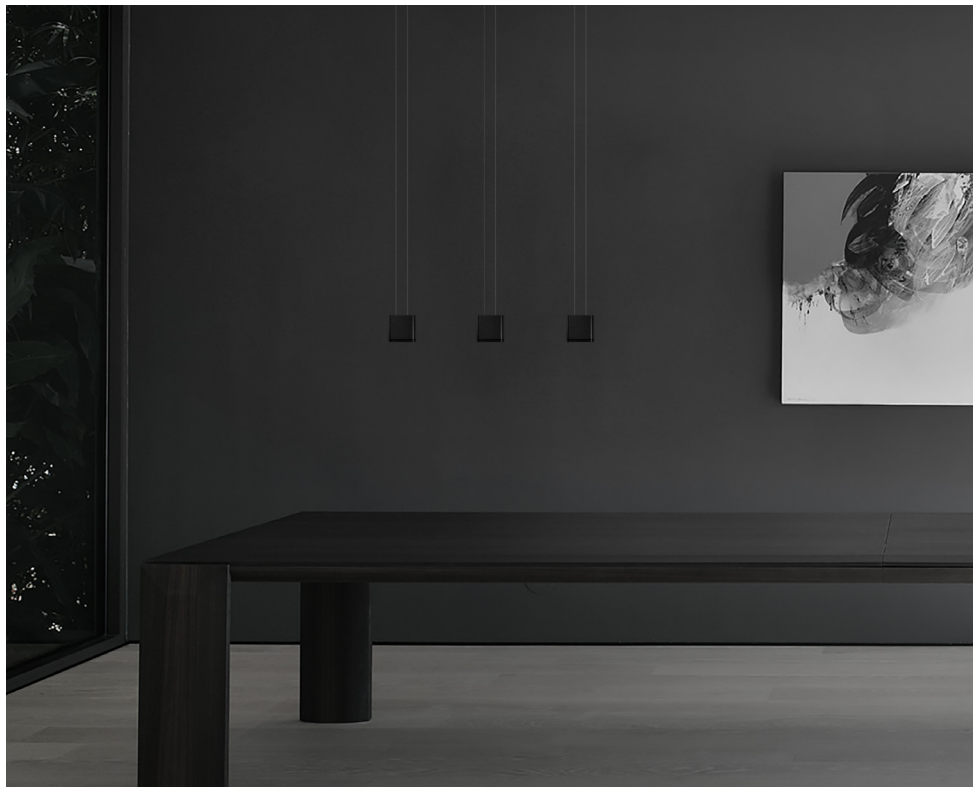




## ARTUS UNUS Minimal Surface-Mounted Pendant

### Quick Facts

- Remote Powered, Class 2 Fixture
- 12W Cree LED
- Available in Warm White (2700K) and Soft White (3000K)
- 2-step SDCM ellipse for accurate color consistency between fixtures
- Full dimming range via remote power supply
- Visible Dimensions - 55mm x 55mm x 55 mm (2-3/16" x 2-3/16" x 2-3/16")
- Suitable for installation in drywall, wood, and stone ceilings
- Suitable for dry and damp locations
- Designed by Studio F·A·Porsche
- UL Listed
- Engineered and made in Germany



### Description

A masterpiece in lighting technology, the ARTUS UNUS by Apure unites the sophistication of LED efficiency with state-of-the-art cable engineering and advanced glare prevention, to perfect the design, performance, and ambiance of pendant lighting. Thanks to Apure's 1 mm suspension cables, the minimalist luminaire appears to float effortlessly up to 6 meters (20 feet) in the air and features an integrated Louver for optimal, light pollution-free atmospheres.

### Construction

- Extruded aluminum fixture body, featuring Apure's signature louver designed by Studio F-A-Porsche
- 50,000 hours LED lifetime
- Approximate fixture weight: 720g (1.58lbs)
- Operating Temperature: 10°C to 50°C
- Features Apure's magnetic installation bracket system for tool free luminaire servicing

### Fixture Size

- Visible Dimensions: 55mm x 55 mm x 55 mm (2-3/16" x 2-3/16" x 2-3/16")
- Recess Depth: N/A - junction box not required

### Light Output

- High performance Cree LED, available in various color temperatures
- 1000lm source light output
- 2-step SDCM ellipse
- Color rendering index (CRI) min. 90
- Integral microprocessor controlled thermal protection

### Electrical Specifications

- Class 2 Fixture
- Constant Current 1000mA, 12V DC Input
- 7W Power Consumption
- 60W 500mA Constant Current Power Supply Required (powers up to 4 fixtures)
- Recommended wire, min. 16 AWG plenum rated (CMP) up to 82ft from remote transformer

### Installation Types

- Surface-Mounted: Standard installation to most ceiling surfaces using anchors or screws (not provided)
- Profile: Surface-mounted in the LINIAR System profile using anchors or screws (not provided)
- Semi-Recessed: Magnetically attached in the NEXU System enclosure (not provided)

### Listings

- UL Listed, CE Conform
- Suitable for dry and damp locations

### Resources

Scan QR Code or visit at [apurelighting.com/resources/](http://apurelighting.com/resources/)



Resources

## ORDERING INFORMATION

### SERIES

- AR - Artus Series

### MODEL

- 4 - Artus Unus

### TYPE

- 1 - LED

### ORIENTATION

- F - Fixed

### FIXTURE FINISH

- BA - Black Anodized  
 WH - White Powder Coat

### TEMPERATURE (CCT)

- 27 - Warm White (2700K)  
 30 - Soft White (3000K)

### COLOR RENDERING INDEX

- 90 - ≥90

### OPTICS (DEGREE)

- N - Narrow Flood (25°)  
 F - Flood (55°)

### DIMMING PROTOCOL

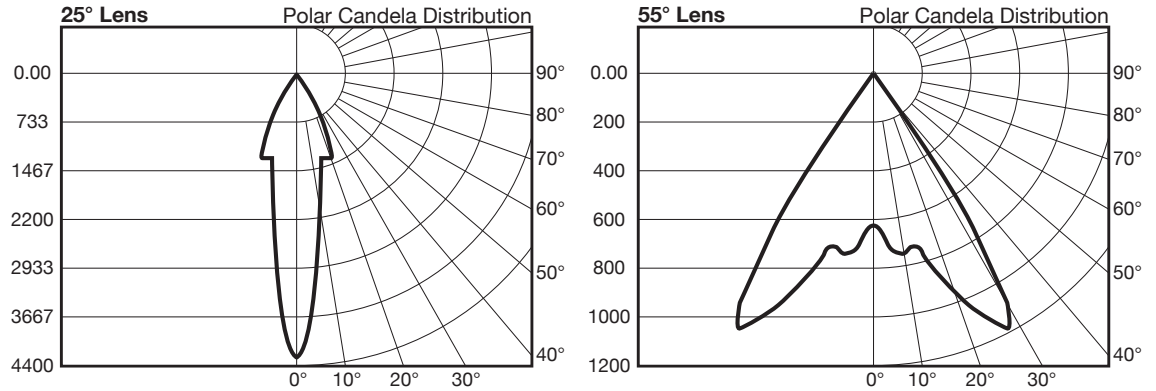
- CC - 0-10V / DALI / Phase Dim (500mA Constant Current, 12VDC)\*

\*remote powered fixture, power supply required

### ORDERING EXAMPLE

AR41FBA3090FCC

## LED Photometrics



### Accessory for Installation Type

Surface Mounted (Standard)  
Semi-Recessed (Nexu System)\*  
Profile System (Liniar System)\*

### Part Number

None Required  
NSBRKUXX  
LSXXXX

### Thickness

--  
Various  
15mm

### Listings

--  
UL  
--

### Remote Power Supply for CC Variant - [CC]

Magnitude AFLEX Power Supply (500mA 60W)\*\*  
Magnitude AFLEX JBZN Series (500mA 60W)\*\*  
Apure Phase Dimmable (500mA 29W)  
Apure Phase Dimmable (500mA 30-65W)  
Apure DALI, Push, 1-10V (500mA 30-65W)\*\*

### Part Number

AA3010M500  
AA3010MJBXX  
AA32202DEU  
AA32205DEU  
AA3DALIDEU

### Input Voltage

120-277Vac  
120-277Vac  
220-240Vac  
220-240Vac  
110-240Vac

### Listings

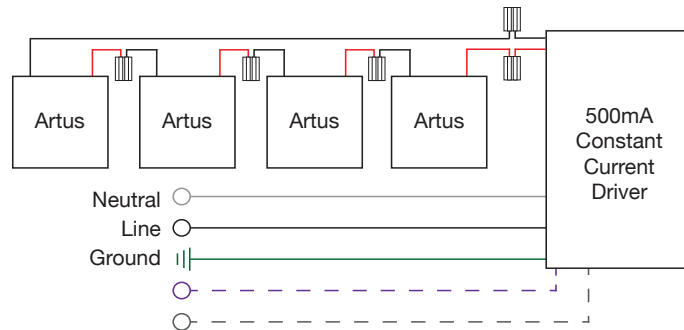
UL Listed  
UL Listed  
CE  
CE  
CE

\*Refer to cutsheet for more information.

\*\*Driver enclosure required where applicable.

\*\*\*Refer to reseller for more information.

## Wiring Diagram for Constant Current Artus products - [CC]



### Fixture Leads

Red (+)  
Black (-)

*Warning: failure to wire correctly may cause fixture to fail.*

### Additional Considerations

The above wiring diagram applies only to Constant Current Artus products with product ordering codes ending with "CC" or "EU". The diagram above shows the typical wiring schematic, however the total number of fixtures per driver is driver specific.

• Magnitude AFLEX Power Supply (500mA 60W)	1-4 Artus	16AWG - 82ft (25m)
• Apure Phase Dimmable (500mA 29W)	1-2 Artus	16AWG - 82ft (25m)
• Apure Phase Dimmable (500mA 30-65W)	3-5 Artus	16AWG - 82ft (25m)
• Apure DALI, Push, 1-10V (500mA 30-65W)	1-4 Artus	16AWG - 82ft (25m)

**WARNING:** The power supply must operate within the range of minimum to maximum fixtures. Operation with less or more fixtures from the specified amount will result in damage to the power supply and/or lighting fixture. Incorrectly wiring the Constant Current lighting fixture may cause luminaire to fail.